

LEC mini

Product Specifications
PS-LECMINI-01/05-130614

LEC stands for Light to Electricity Converter and can be used for charging Sundaya Ulitium lamps but also all other Sundaya products that can accept charge from a 17.5 up to 25VDC charge voltage range. The **LEC** is made of very durable and high strength material to ensure a very long life in all weather conditions. The **LEC** is delivered complete with 480cm cable and pole-mountable-support with angle adjustable swivel.



Energy Yield	LEC50	LEC100	LEC150	LEC200
Energy Yield @ 3 sun-hours/day	39	75	124	153
Energy Yield @ 4.5 sun-hours/day	58	113	187	230
Energy Yield @ 6 sun-hours/day	78	151	249	306

Electrical Details

Pmpp	3.5 J/s (W)	7.0 J/s (W)	10.5 J/s (W)	14.0 J/s (W)
Vmpp	17.5 VDC	17.5 VDC	17.5 VDC	17.5 VDC
Ipp	200 mA	400 mA	600 mA	800 mA
Voc	21.0 VDC	21.0 VDC	21.0 VDC	21.0 VDC
Isc	225 mA	450 mA	675 mA	900 mA

* Electrical performance data are based on Standard Test Condition (STC) : 1000 W/m², AM 1.5, 25 C

** Tolerance on data is - 5% to + 10%

Dimensions

Length	168 mm	278 mm	388 mm	498 mm
Width	278 mm	278 mm	278 mm	278 mm
Height	65 mm	65 mm	65 mm	65 mm
Net Product Mass	900 gr	1200 gr	1500 gr	175 gr

Warrantees

Mechanical Construction Warrantee	1 year
Energy Yield Warrantee	5 years (allowing a maximum degradation of 10% over 5 years based on factory test data)

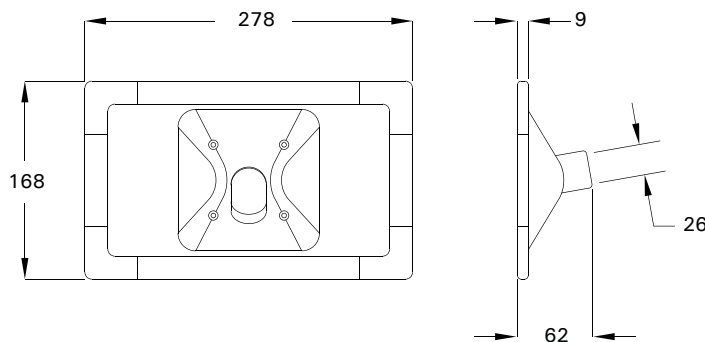
Mechanical details

Connector System	DC plug (to connect to Ulitium Light Range)
Operating Temperature Range	-10°C to + 55°C
Storage Temperature Range	-40°C to + 85°C
Glass Cover	Low Iron Hardened Solar Glass
Cell Encapsulation	EVA
Cell Type	Poly Crustaline
Backsheet	PET Composite Film
Frame	Black anodized Aluminium with PC corner brackets
Packing Options	In single unit pack or as part of Lightkits
Junction Box/ Module Support material	Injection molded Poly Carbonate

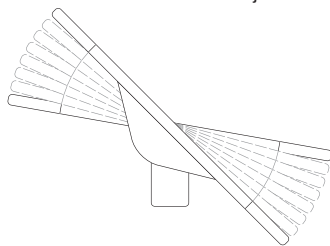
LEC50

Product Specifications
PS-LECMINI-02/05-130614

LEC50 stands for Light to Electricity Converter and can be used for charging Sundaya Ulitium lamps but also all other Sundaya products that can accept charge from 17.5 up to 25VDC charge voltage range. The **LEC** is made of very durable and high strength material to ensure a very long life in all weather conditions. The **LEC** is delivered complete with 480cm cable and pole-mountable support with angle adjustable swivel.



10° - 45° adjustable in 5° steps



Energy Yield

Energy Yield @ 3 sun-hours/day	39
Energy Yield @ 4.5 sun-hours/day	58
Energy Yield @ 6 sun-hours/day	78

* Electrical performance data are based on Standard Test Condition (STC) : 1000 W/m², AM 1.5, 25 C

** Tolerance on data is - 5% to + 10%

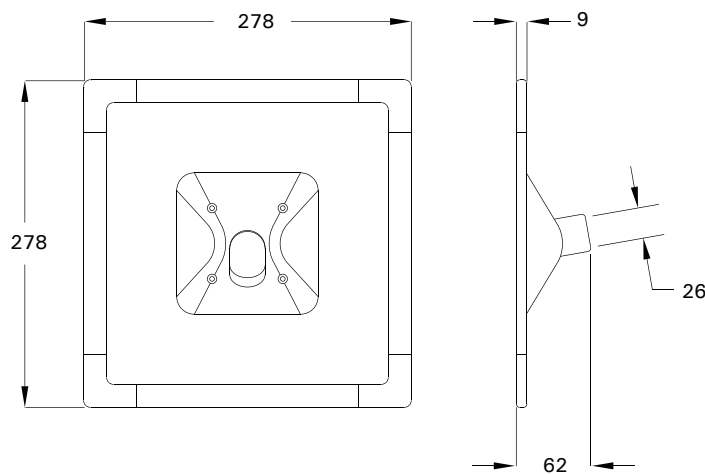
Electrical Details

Pmpp	3.5 J/s (W)
Vmpp	17.5 VDC
Impp	200 mA
Voc	21.0 VDC
Isc	225 mA

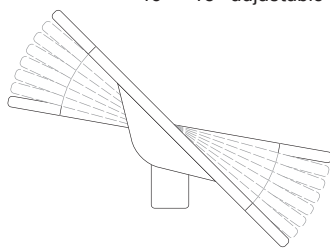
LEC100

Product Specifications
PS-LECMINI-03/05-130614

LEC100 stands for Light to Electricity Converter and can be used for charging Sundaya Ulitium lamps but also all other Sundaya products that can accept charge from 17.5 up to 25VDC charge voltage range. The **LEC** is made of very durable and high strength material to ensure a very long life in all weather conditions. The **LEC** is delivered complete with 480cm cable and pole-mountable support with angle adjustable swivel.



10° - 45° adjustable in 5° steps



Energy Yield

Energy Yield @ 3 sun-hours/day	75
Energy Yield @ 4.5 sun-hours/day	113
Energy Yield @ 6 sun-hours/day	151

* Electrical performance data are based on Standard Test Condition (STC) : 1000 W/m², AM 1.5, 25 C

** Tolerance on data is - 5% to + 10%

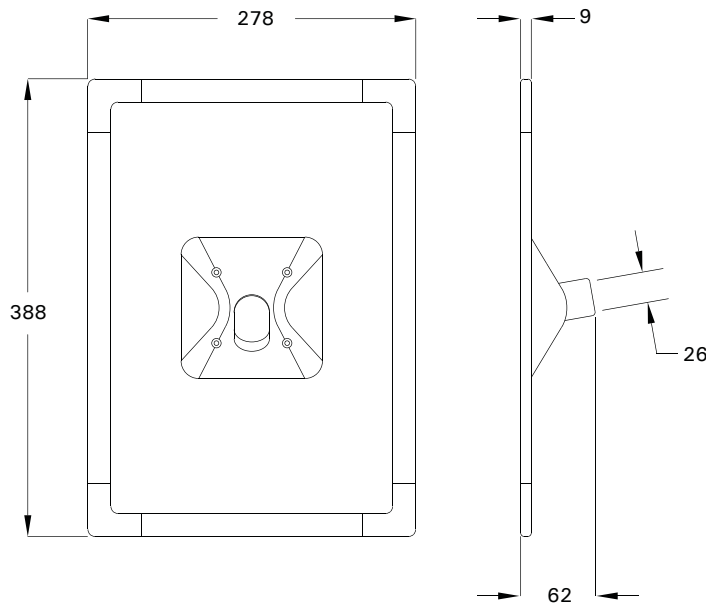
Electrical Details

Pmpp	7.0 J/s (W)
Vmpp	17.5 VDC
Impp	400 mA
Voc	21.0 VDC
Isc	450 mA

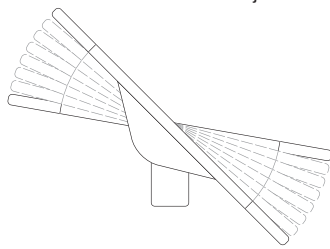
LEC150

Product Specifications
PS-LECMINI-04/05-130614

LEC150 stands for Light to Electricity Converter and can be used for charging Sundaya Ulitium lamps but also all other Sundaya products that can accept charge from 17.5 up to 25VDC charge voltage range. The **LEC** is made of very durable and high strength material to ensure a very long life in all weather conditions. The **LEC** is delivered complete with 480cm cable and pole-mountable support with angle adjustable swivel.



10° - 45° adjustable in 5° steps



Energy Yield

Energy Yield @ 3 sun-hours/day	124
Energy Yield @ 4.5 sun-hours/day	187
Energy Yield @ 6 sun-hours/day	249

* Electrical performance data are based on Standard Test Condition (STC) : 1000 W/m², AM 1.5, 25 C

** Tolerance on data is - 5% to + 10%

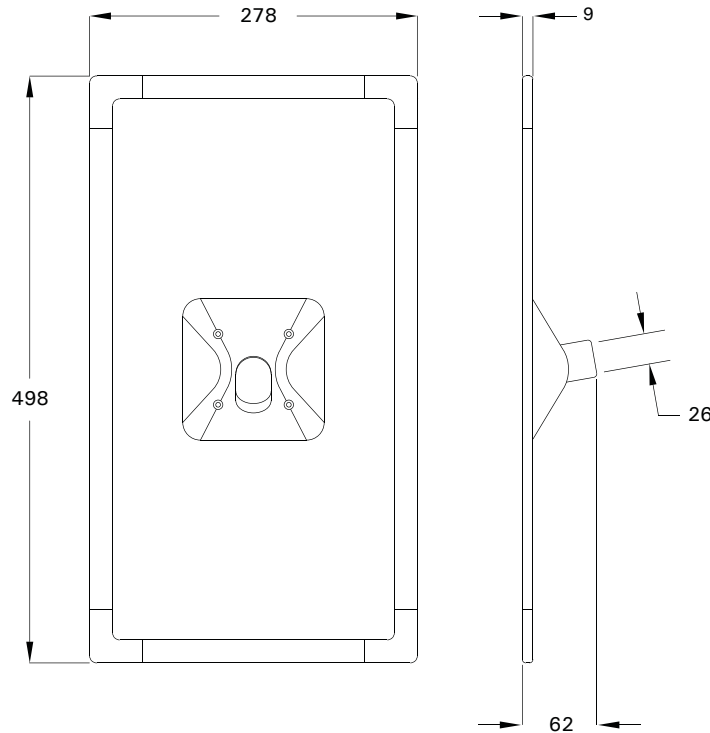
Electrical Details

Pmpp	10.5 J/s (W)
Vmpp	17.5 VDC
Impp	600 mA
Voc	21.0 VDC
Isc	675 mA

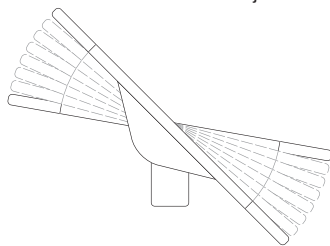
LEC200

Product Specifications
PS-LECMINI-05/05-130614

LEC200 stands for Light to Electricity Converter and can be used for charging Sundaya Ulitium lamps but also all other Sundaya products that can accept charge from 17.5 up to 25VDC charge voltage range. The **LEC** is made of very durable and high strength material to ensure a very long life in all weather conditions. The **LEC** is delivered complete with 480cm cable and pole-mountable support with angle adjustable swivel.



10° - 45° adjustable in 5° steps



Energy Yield

Energy Yield @ 3 sun-hours/day	153
Energy Yield @ 4.5 sun-hours/day	230
Energy Yield @ 6 sun-hours/day	306

* Electrical performance data are based on Standard Test Condition (STC) : 1000 W/m², AM 1.5, 25 C

** Tolerance on data is - 5% to + 10%

Electrical Details

Pmpp	14.0 J/s (W)
Vmpp	17.5 VDC
Impp	800 mA
Voc	21.0 VDC
Isc	900 mA