

Installation Manual

Streetlight

600176 • 12/2014

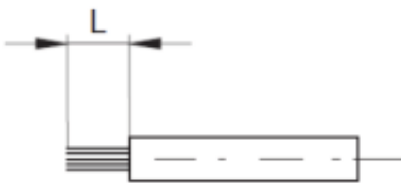
Components for installation in box



Tools as required



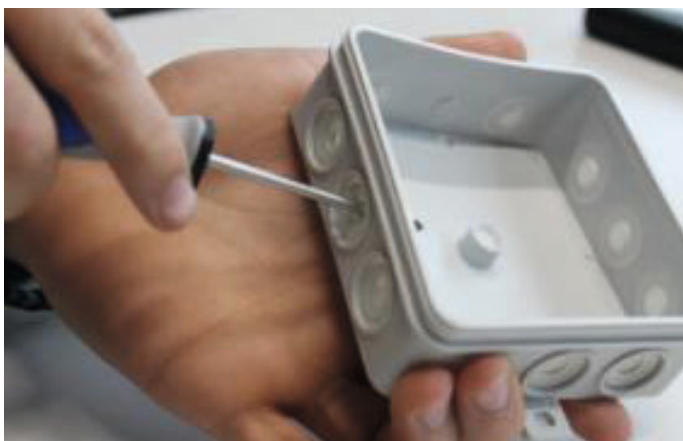
- Strip 10mm of the cable insulation of charge controller, LED-Driver, battery and module

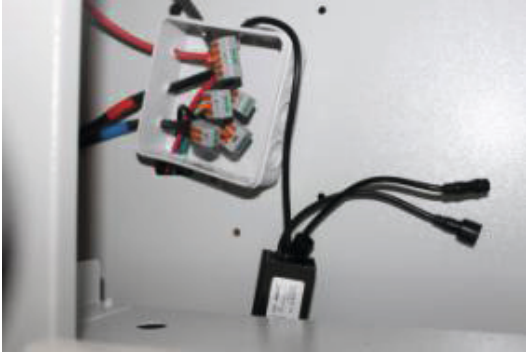


- Cut off battery cable wire end



- Perforate the required cable ducts with a pointed item



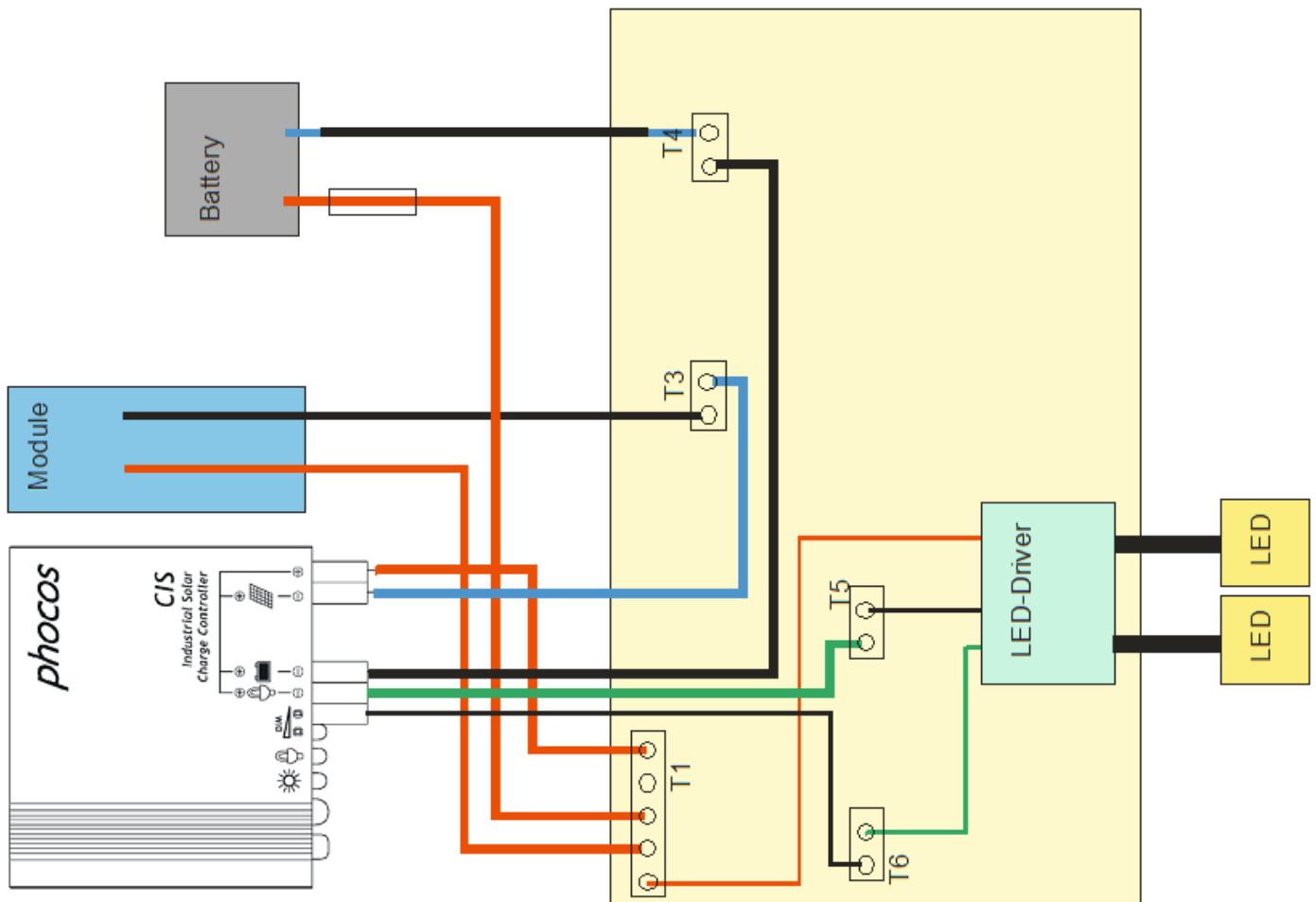


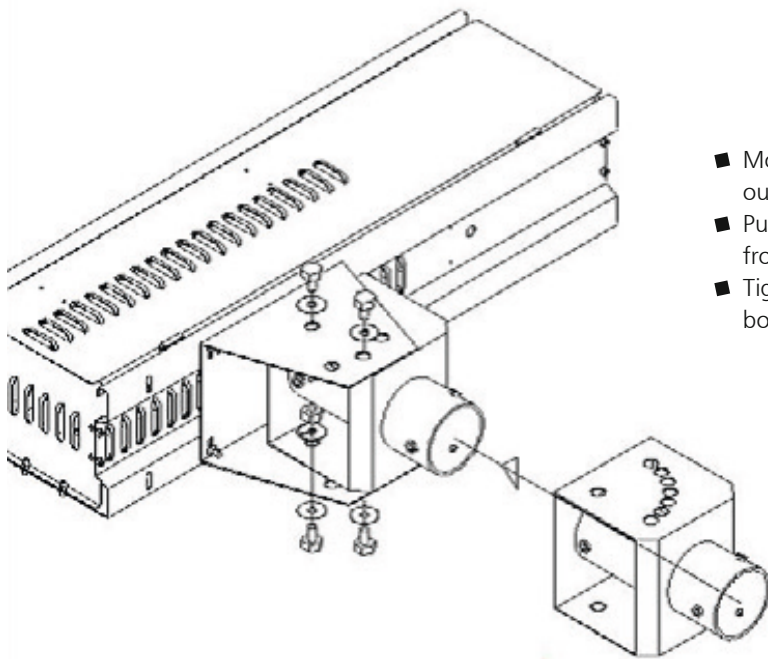
- Insert cable in the corresponding notches and connect according to wiring diagram



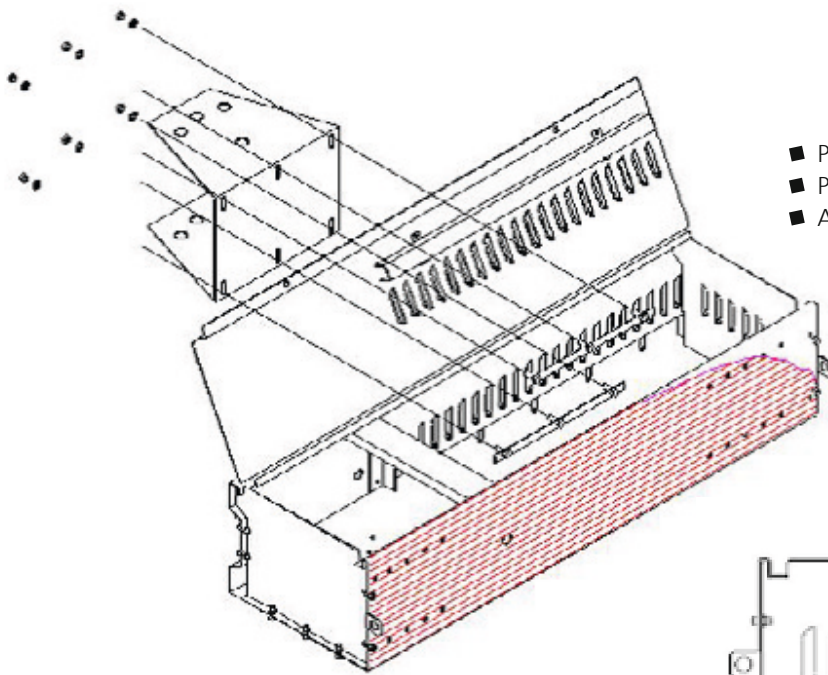
- Connect lamp, battery and module only if the box is assembled on the pole!

Wiring diagram:

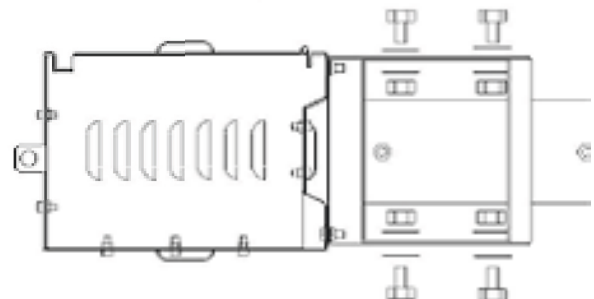


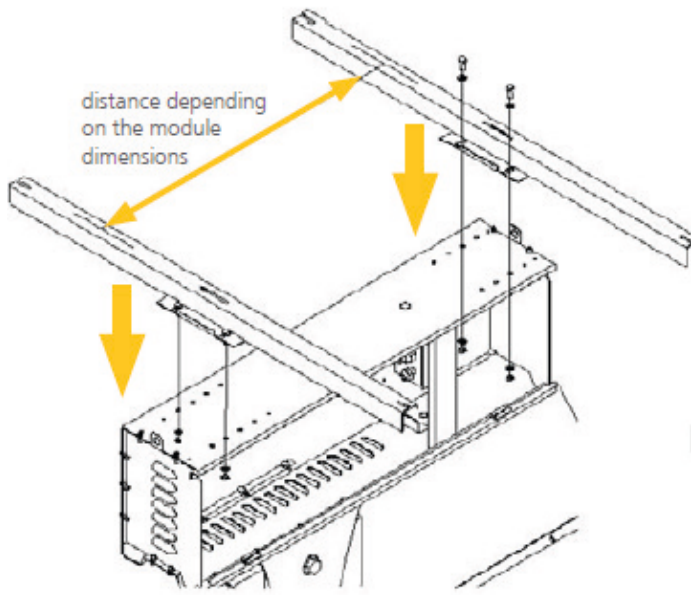


- Mount the mounting hinge from the outside to the battery case
- Put in the screw plates to the battery case from the inside
- Tighten the mounting hinge to the battery box by screwing the screw plates

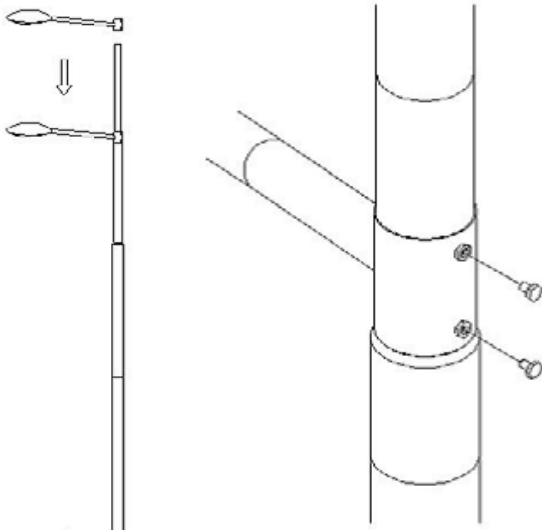
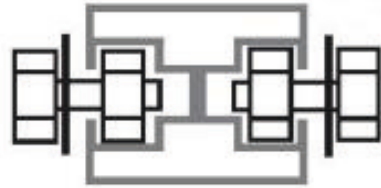


- Plug in the head
- Put in the screws and tighten them
- Angle of battery box $\approx 20^\circ$

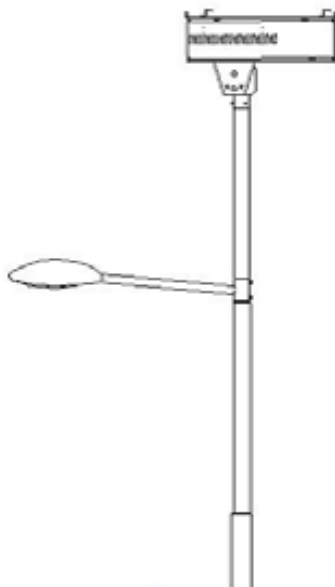




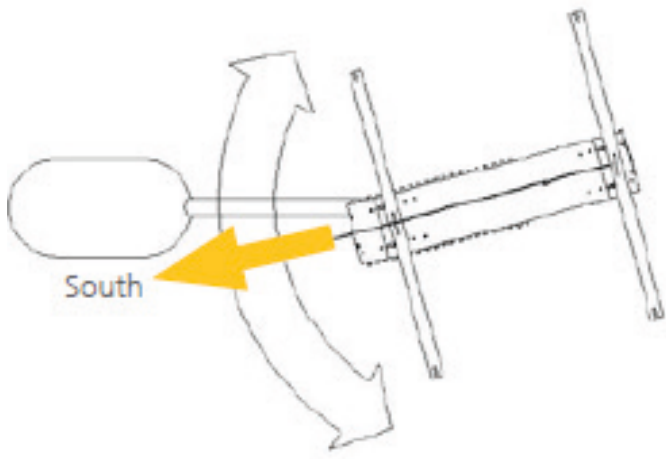
- Assemble the module holders (aluminum profile) to the top of the battery case



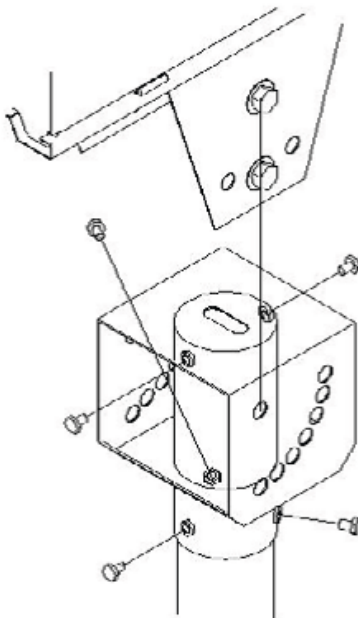
- Introduce the lamp cable in the bracket and screw the lamp in place
- Put the Lamp holder with the mounted lamp from the top onto the pole
- Screw the lamp holder to the pole



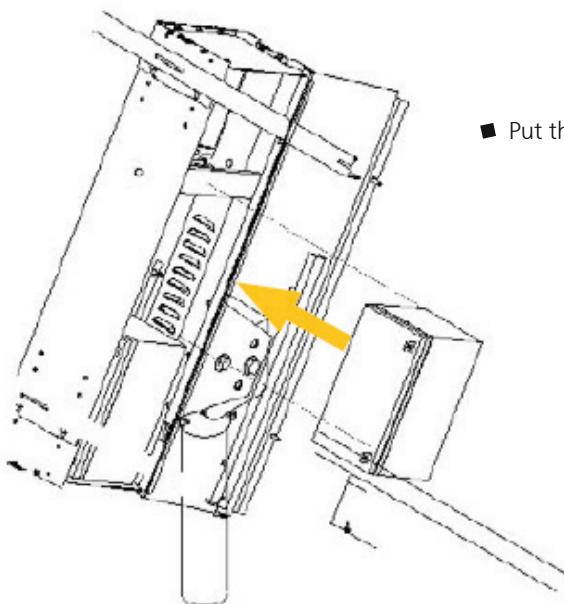
- Pull up the battery box by a crane or something comparable
- Set it on the top of the pole



- Adjust the angle of the battery box according to the conditions of the location and the optimum sun radiation angle



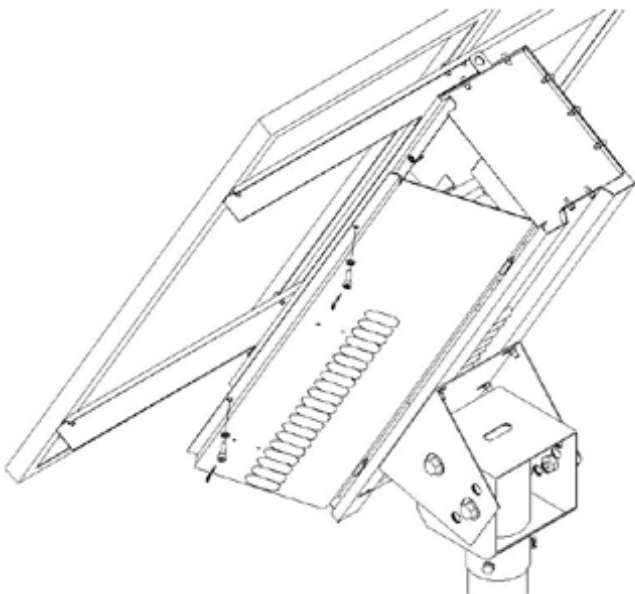
- Tighten the battery case to the pole



- Put the battery into the case



- Assemble the solar module to the battery case
- Tighten the screws

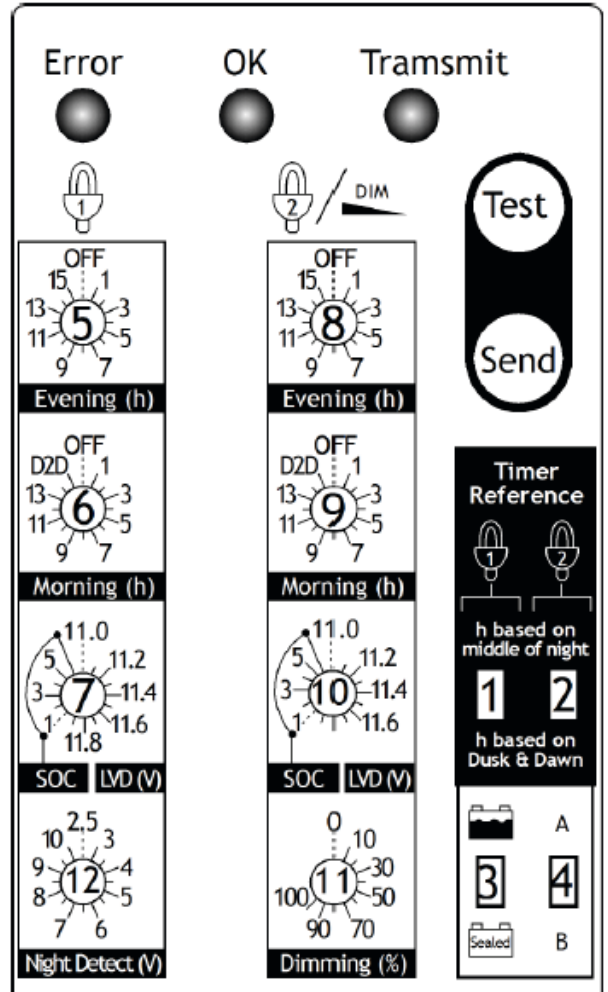


After you have cabled all the elements
(battery, module, LED)

- Close the battery case
- Tighten the screws and put in the securing splint

Programming of the CIS Charge Controller:

- programming is executed from the ground with remote control
- please configure all rotary switch before pushing the "send" button
- for details please read user manual for CIS CU



OPERATING/ASSEMBLY MANUAL SL-Lamp

Please read all the instructions completely and carefully before installation!

About this manual, liability exclusion:

This manual is content of the product and describes in detail the use of the product. The supplier will not take over any liability for damage caused by use other than the intended use or as mentioned in this manual. The supplier shall not be liable for any damage or accident caused by improper installation or any service/ repair carried out by non-authorized or non-trained persons.

Safety: Be aware of the high light intensity of the lamp, protect your eyes and don't look directly into the light source!

The lighting product and its accessories may only be used according to their specification. The 12V LED driver may only be applied in 12V battery systems with the voltage limit as defined. Battery wire has to be protected by appropriate fuse. Only the suppliers specified lamps are allowed to be connected to the drivers output. The lamp should be only operated by the supplier's specified driver to avoid any damage of the product and operate the product within its specification. Follow the national regulations for safety and accident prevention. Do not use the product and its accessories in presence of solvents or inflammable gases and vapors. Do not operate the produce if any functional disorder occurs or any wire or component or its electrical insulation is visibly damaged. If this occurs remove the product immediately from its electrical power source. If any mechanical structure is damaged make sure the product is repaired immediately or removed to avoid any accident.

Function:

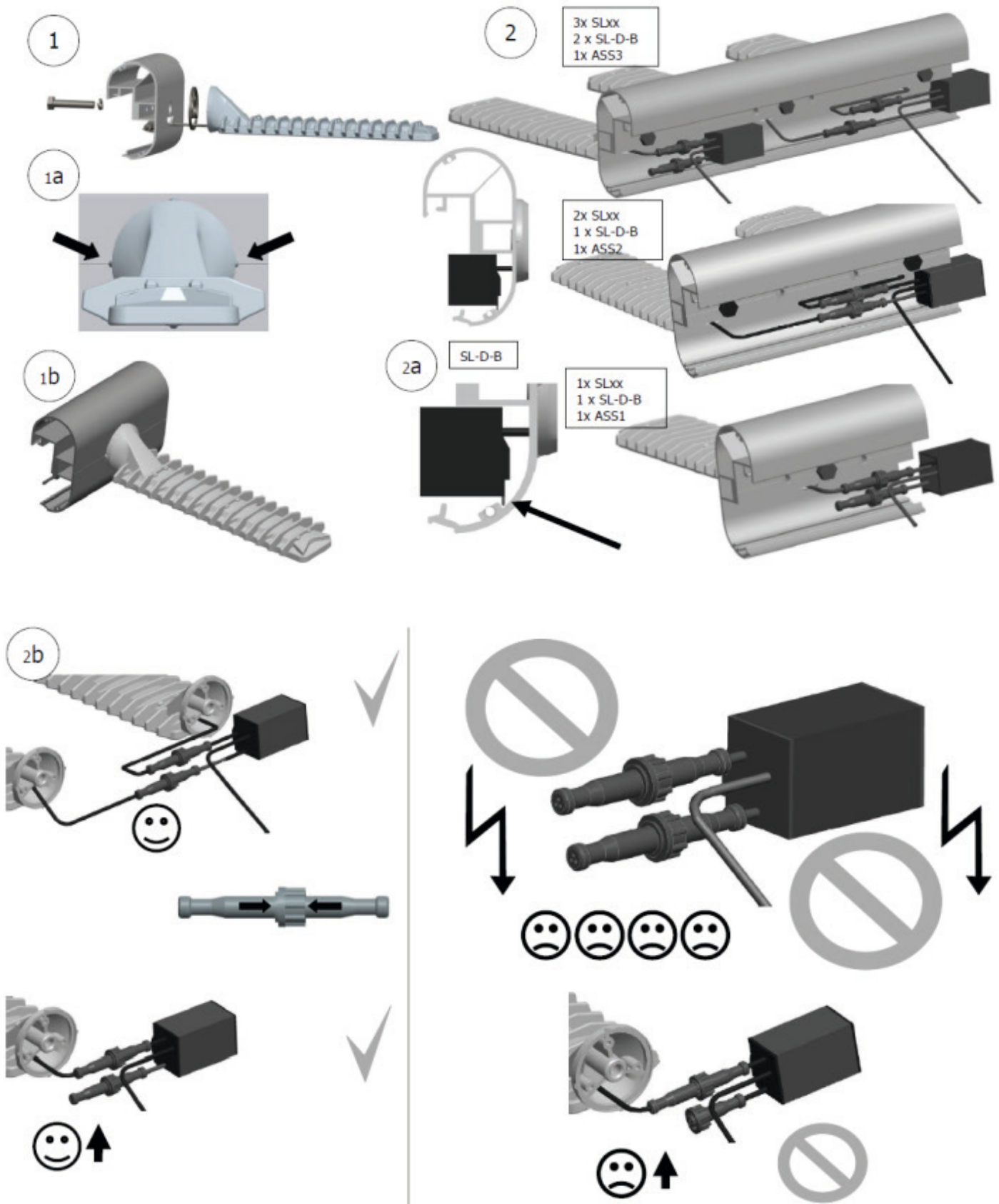
Lamp: the lamp is designed for outdoor use, but can be applied also for indoor applications. The light distribution will be according the type. Do not use any other power supply than specified by the manufacturer as it can harm the lamp.

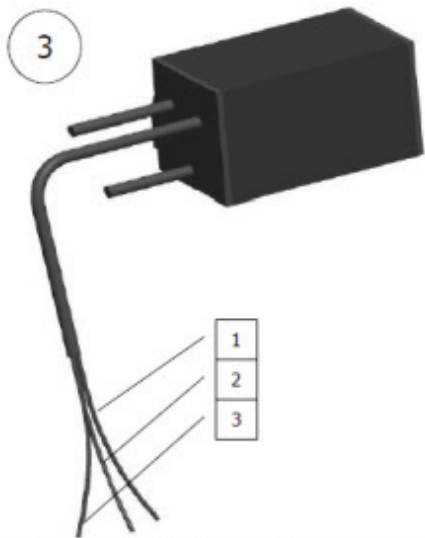
Driver: The driver will do power conversion to operate the lamp system by 12V battery supply; also protect the lamp from too high temperatures. Do not operate without connected lamps or the blind connector if the output is not in use. Never assemble the blind connector to both outputs! It will damage the driver. If dimming is applied, please connect the dimming wire to the dimmer (0... 10V) if no dimming, connect dimming wire to positive supply voltage.


Assembly tube: optimize the assembly of one or several lamps to one higher power lamp. It can also contain the driver.

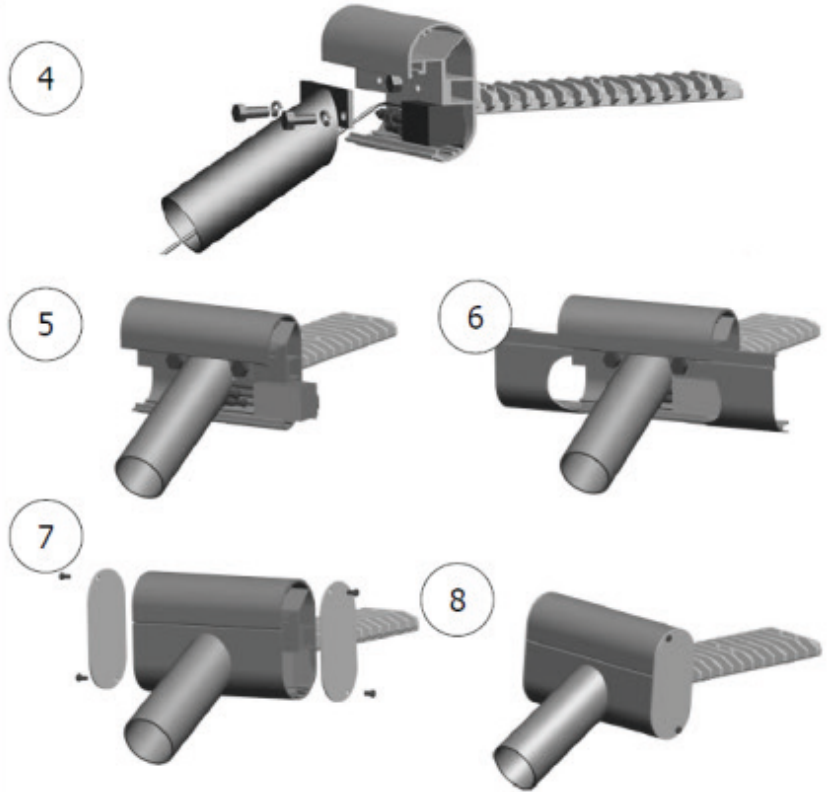
Connection: Do the connection according the assembly instruction




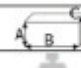
Pole assembly: Create pole structure according the structure design in this manual for proper lamp assembly.





#	COLOR/FARBE/EL COLOR	
1	RED/ROT/ROJO	+12V
2	BLACK/SCHWARZ/NEGRO	GND
3	GREEN/GRÜN/VERDE	 0...10V → 0...100% +12V → 100%



Assembly tube; Tubo de ensamblado:	ASS1	ASS2	ASS3
Application/ Aplicación			
	A:109mm B:165mm C:57mm	A:109mm B:256mm C:57mm	A:109mm B:430mm C:57mm
	520g	770g	1270g

